



HIGH FLOW PUMP UNTIL 30M³ SINGLE OR THREE PHASE VERSION

TECHNICAL FEATURES :

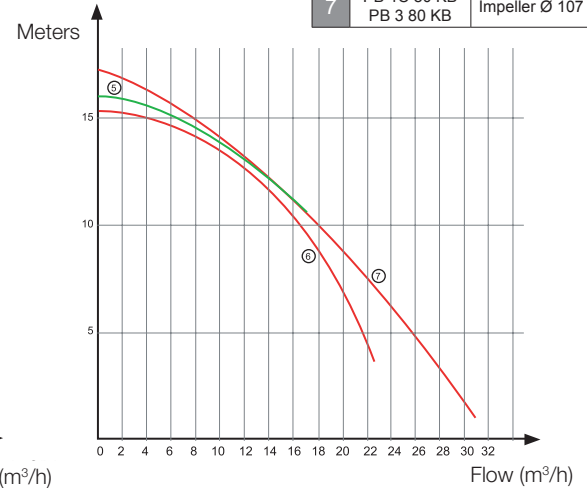
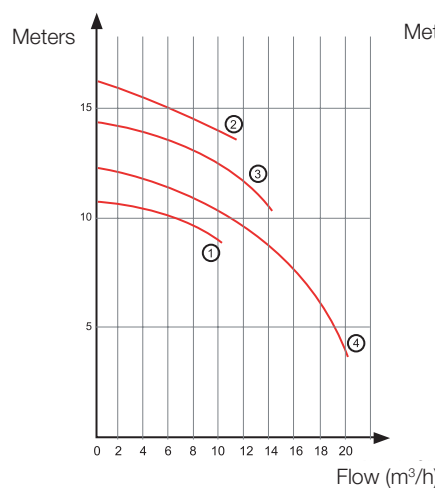
- Polypropylène pump housing
- Capacitor inside the terminal box
- Nitril mechanical seal
- 8 outlet positions
- Terminal box : 5 positions
- Polyamide 6 impeller
- 3 drain plug positions
- Class F insulation
- Single or three phase motor



1	PB 1C 250 KB PB 3 250 KB	Impeller Ø 88
2		Impeller Ø 107
3	PB 1C 270 KB PB 3 270 KB	Impeller Ø 100
4		Impeller Ø 93
5		Impeller Ø 107
6	PB 1C 285 KB PB 3 285 KB	Impeller Ø 100
7	PB 1C 80 KB PB 3 80 KB	Impeller Ø 107

COMPLY WITH STANDARDS :

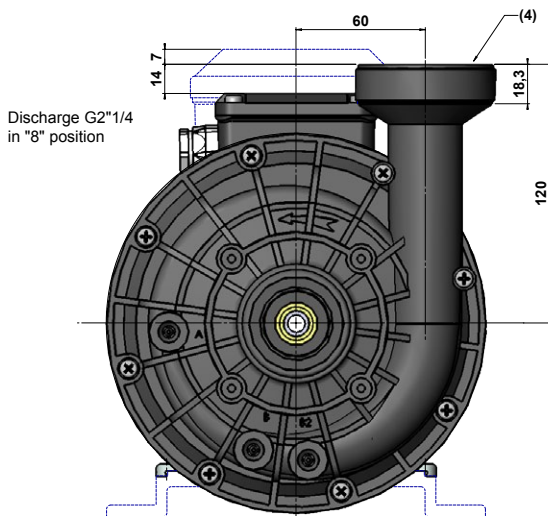
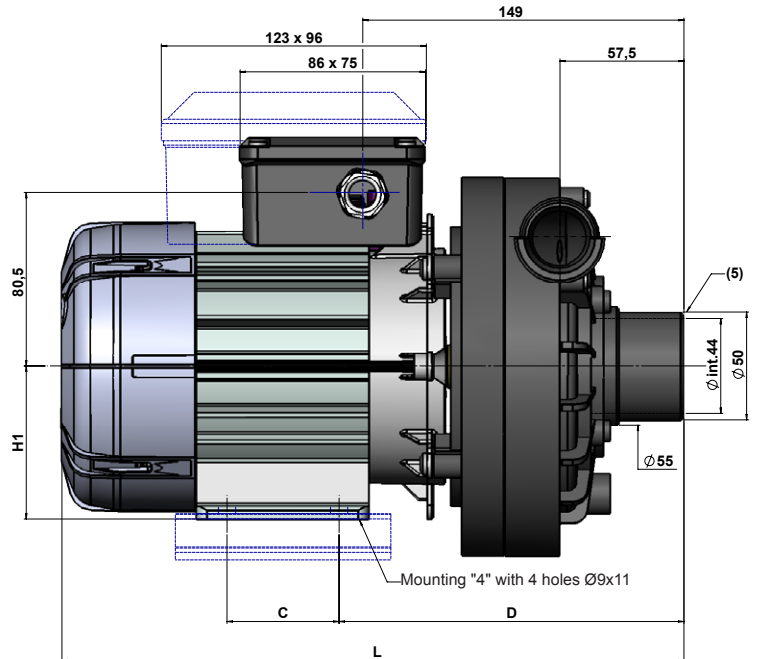
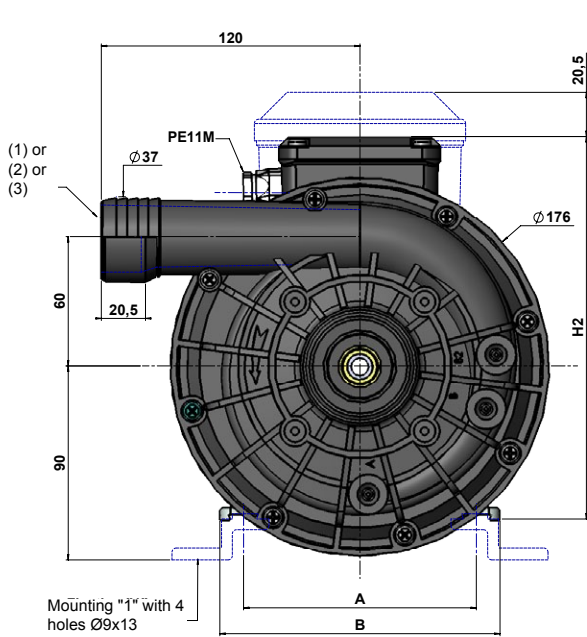
- These pumps meet the standards and guidelines in force
- EN 60335-1
- EN 60335-2-41



Model	Single phase with capacitor 230V - 50Hz	Three phase 230/400V 50Hz	Inlet power W	Output power W	Current 230V - A	Cos φ
PB 1C250 K4B	•		560	400	2,50	0,98
PB 3250 K4B		•	560	400	1,85	0,75
PB 1C270 K4B	•		900	600	3,95	0,98
PB 3270 K4B		•	875	600	2,95	0,74
PB 1C285 K4B	•		1150	810	5,10	0,98
PB 3285 K4B		•	985	800	3,40	0,73
PB 1C80 K1B	•		1350	1100	6,10	0,96
PB 80 K1B		•	1360	1100	4,20	0,81



DIMENSIONS



Ø Discharge :

- (1) - Ribed Ø ext. 37 - Ø int. 29,3 connection on smooth pipe
- (2) - On request : Threaded Ø ext. G1''¼ male - Ø int. 33
- (3) - On request : Threaded Ø ext. G1''½ male - Ø int. 37
- (4) - On request : Threaded Ø ext. G2''¼ male - Ø int. 50

Ø Suction :

- (5) - On request : Threaded Ø int. G1''½ female

Dimensions (mm)	L	A	B	C	D	H1	H2
<i>Pumps</i>							
PB 1C250 PB 3250	278	108	130	32	160,5	71	177,5
PB 1C270 PB 3270	288	108	130	52	160,5	71	177,5
PB 1C285 PB 3285	301	108	130	67	160,5	71	177,5
PB 1C80 PB 80	323	125	147	100	155,5	80	186,5

OPTIONS

- Special voltages and frequencies (60Hz and 50/60Hz)
- IP55 protection

